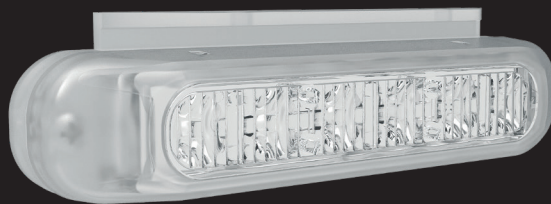


FT-300 LED

NEW!



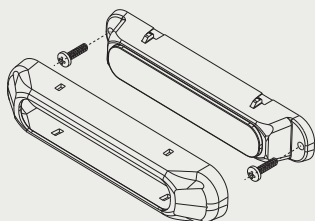
LED daytime running lamp – low power consumption.
 - reverse polarity protection system
 - surge arrester
 - automatic switching-off of daytime running lamps at vehicle start (**STANDBY system**)

Technical specification:

- supply voltage: **12–55V**
- toperating temperature: **-40°C do +55°C**
- lamp is resistant to any weather conditions
- lamp is fully airtight
- cable: 3,5 m

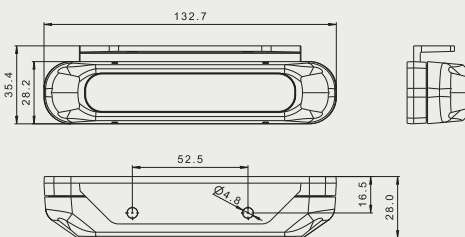
Power consumption / Rated power consumption:

- **12V/24V = 0,25A/3W; 0,125A/3W**

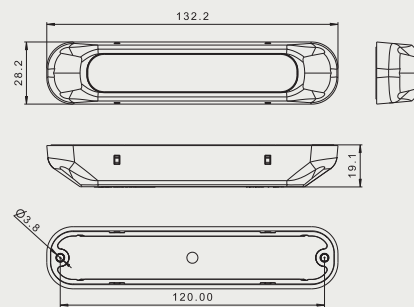


THE SET INCLUDES:

- lamps – 2pcs
- black cover – 2pcs
- transparent cover – 2pcs
- holder – 2pcs
- mounting screws – 4pcs



DAYTIME running LED lamp



... all you need is light

BIURO:
 FRISTOM
 Spółka z ograniczoną odpowiedzialnością i Sp. K.
 ul. Grunwaldzka 207A
 POLAND, 85-451 Bydgoszcz

EXPORT:
 mobile +48 609 909 456
 bstaniaszek@fristom.com.pl
 mobile +48 607 843 275
 wsaran@fristom.com.pl