



## FT-230 LED

**NEW!**



*dynamic indicator*

6-functional LED rear lamp - low power consumption  
 European homologation E9  
 ElectroMagnetic Compatibility (EMC) homologation R10  
 Shock-resistance – PC lampshade  
 Reverse polarity protection system

**Lamp functions:**

- rear running light
- number plate light homologated on an universal performance 34,4 mm <<X>> 102,2 mm; version NT – has no function of number plate light
- STOP light
- indicator
- reversing light (version COF), or fog light (version PM)
- reflector

**Technical specification:**

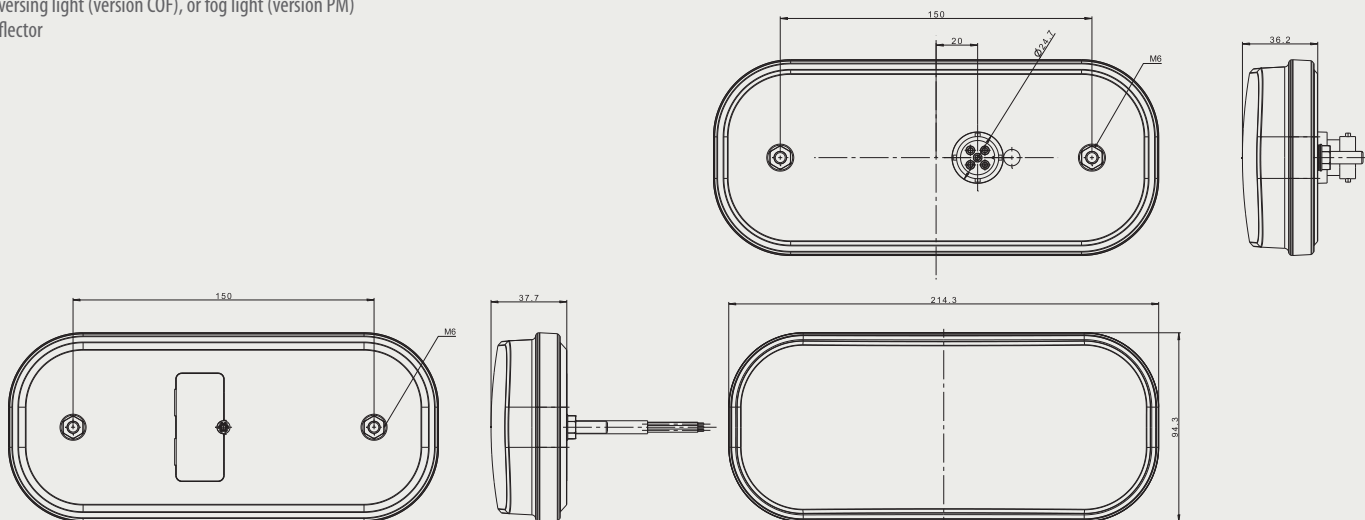
- supply voltage: **12-36V DC**
- operating temperature: **-40°C to +55°C**
- lamp is resistant to any weather conditions
- lamp is fully airtight

**Power consumption:**

- rear running light + number plate light: **12V/24V = 0,12A/0,12A**
- STOP light: **12V/24V = 0,12A/0,12A**
- indicator: **12V/24V = 0,35A/0,35A**
- reversing light: **12V/24V = 0,22A/0,22A**
- fog light: **12V/24V = 0,16A/0,16A**

**Power consumption / Rated power:**

- rear running light + number plate light: **12V/24V = 1,5W/3W**
- STOP light: **12V/24V = 1,5W/3W**
- indicator: **12V/24V = 4,5W/9W**
- reversing light: **12V/24V = 2,8W/5,5W**
- fog light: **12V/24V = 2W/4W**



*... all you need is light*

**BIURO:**  
 FRISTOM  
 Spółka z ograniczoną odpowiedzialnością i Sp. K.  
 ul. Grunwaldzka 207A  
 POLAND, 85-451 Bydgoszcz

**EXPORT:**  
 mobile +48 609 909 456  
 bstaniaszek@fristom.com.pl  
 mobile +48 607 843 275  
 wsaran@fristom.com.pl