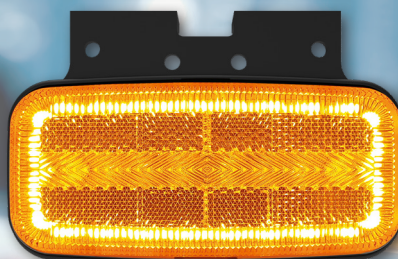
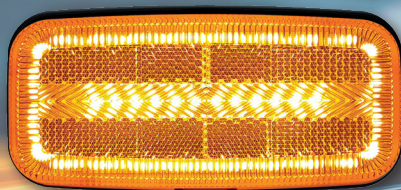


# FT-080 LED

**NEW!**



indicator light **CAT. 5**

3-functional LED clearance lamp – low power consumption  
 - european E9 homologation  
 - shock-resistance – PC lampshade

Three power cords:

**Ground – white, clearance lamp function – black, indicator lamp function – yellow**

When the indicator light function works, the side clearance light function is switched on.

**ASSEMBLY SCREWS ARE NOT VISIBLE  
 INNOVATIVE ASSEMBLY „CLICK-ON”  
 HIGH LEVEL OF LIGHT EMISSION  
 TIMELESS DESIGN  
 UNIVERSAL ANGLE HOLDER**

**Lamp functions:**

- side clearance light
- indicator light cat. 5
- side reflector

**Technical specification:**

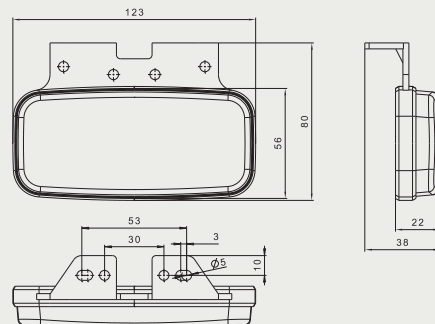
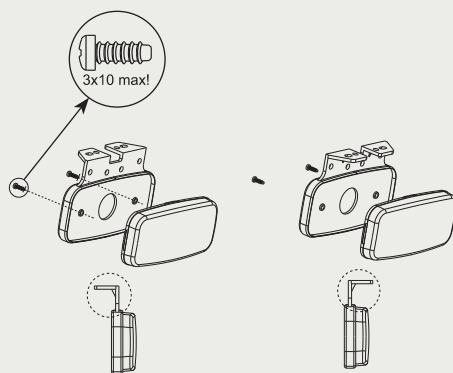
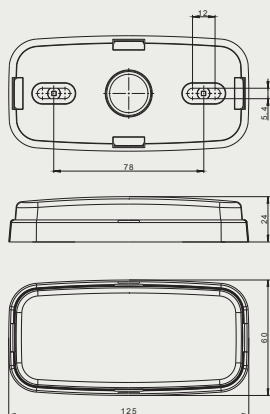
- supply voltage: **12-36V DC**
- operating temperature: **-40°C to +55°C**
- lamp is resistant to any weather conditions
- lamp is fully airtight

**Power consumption:**

- clearance light: **12V/24V = 0,08A/0,08A**
  - indicator: **12V/24V = 0,08A/0,08A**
- Functions may work equally.**

**Power consumption / Rated power:**

- clearance light: **12V/24V = 1,0W/2,0W**
- indicator: **12V/24V = 1,0W/2,0W**



*... all you need is light*

**BIURO:**  
 FRISTOM  
 Spółka z ograniczoną odpowiedzialnością i Sp. K.  
 ul. Grunwaldzka 207A  
 POLAND, 85-451 Bydgoszcz

**EXPORT:**  
 mobile +48 609 909 456  
 bstaniaszek@fristom.com.pl  
 mobile +48 607 843 275  
 wsaran@fristom.com.pl