

FT-074 LED



1 functional LED lamp- low power consumption
 European homologation E9 mark
 ElectroMagnetic Compatibility – EMC certificate
 Shockproof lamp
 The lamp connection polarity is optional
 Easy assembling lamp
 Unique light emission

Can be mounted on the vehicle piping using an additional rubber, included in the set – NEW in the offer!

Lamp Functions:

- Depending on the color of the light:
- front position „A” – approval after 360 rotation
 - rear position „R1” – approval after 360 rotation
 - side marker „SM1” – approval after 360 rotation

Lamp parameters:

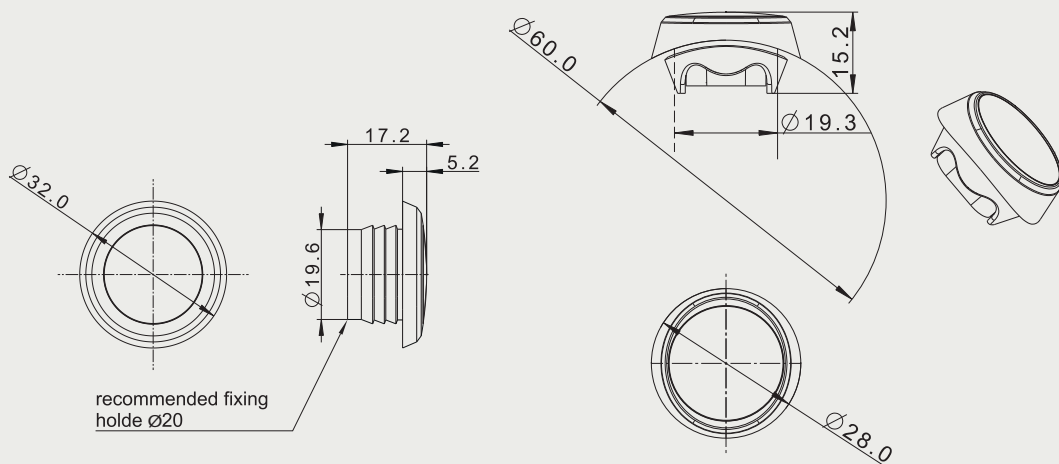
- supply voltage range: 12-36V DC
- working temperature: -40°C do +55°C
- lamp resistant to hard weather conditions
- lamp is fully airtight

Power consumption:

- 12V/24V = 0,03A/0,03A

Power consumption (rated power):

- 12V/24V = 0,4W/0,8W



recommended fixing holde Ø20

SET CONTAINS:

- side marker lamp
- rubber for flat fitting
- rubber for fitting on tubular bars

... all you need is light

BIURO:
 FRISTOM
 Spółka z ograniczoną odpowiedzialnością i Sp. K.
 ul. Grunwaldzka 207A
 POLAND, 85-451 Bydgoszcz

EXPORT:
 mobile +48 609 909 456
 bstaniaszek@fristom.com.pl
 mobile +48 731 088 883
 wtomczak@fristom.com.pl
 mobile +48 607 843 275
 rcardona@fristom.com.pl